



CPD30/35L1S

Electric Counterbalance Forklift
Truck 3.0/3.5T **LI-ION**
TECHNOLOGY

- High efficiency with high performance;
- IPX4 Rated, Suitable for Outdoor Usage;
- Standard Lithium battery, fast charging and convenient using;
- High comfort for operation with larger cab;

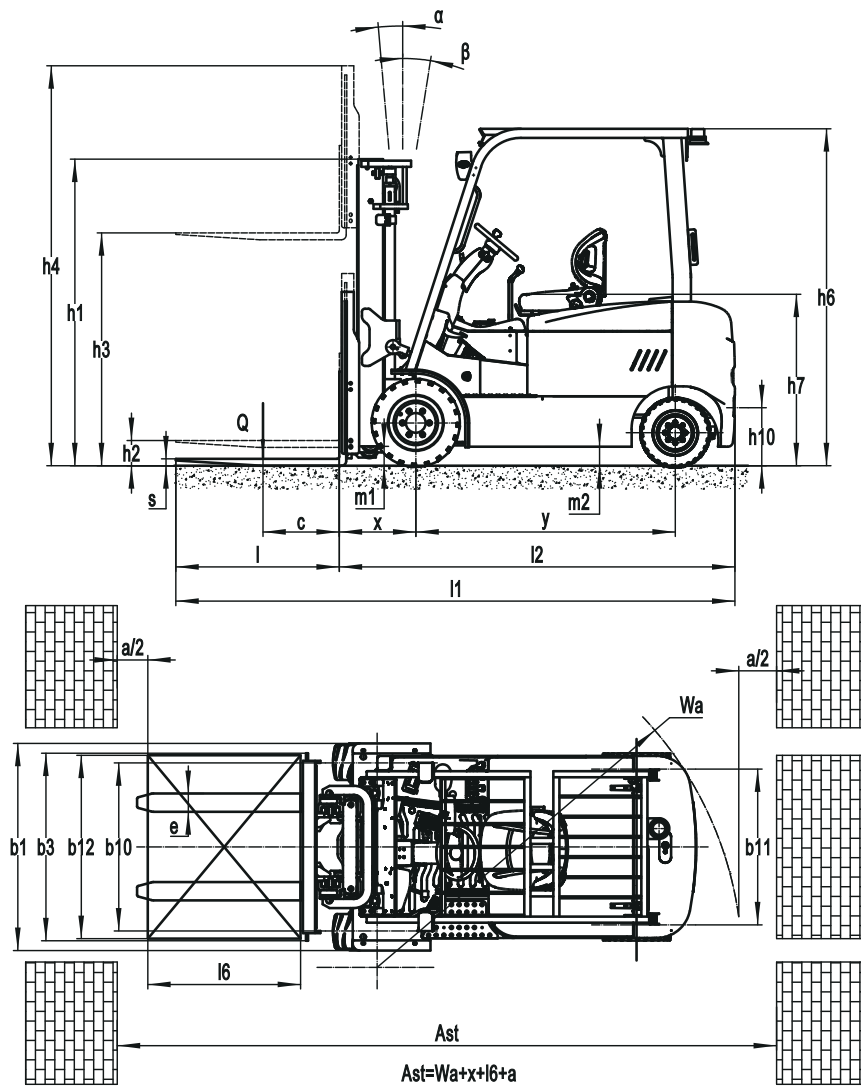
EP EQUIPMENT CO.,LTD
www.ep-equipment.com



Electric Counterbalance Forklift Truck 3.0/3.5T CPD30/35L1S

| | | | | | | |
|---------------------|--|---|----------------|-------|--------------|--------------|
| Distinguishing mark | 1.1 | Manufacturer | | | EP | EP |
| | 1.2 | Model designation | | | CPD30L1S | CPD35L1S |
| | 1.3 | Drive | | | Electric | Electric |
| | 1.4 | Operator type | | | Seated | Seated |
| | 1.5 | Load capacity | Q | kg | 3000 | 3500 |
| | 1.6 | Load center distance | c | mm | 500 | 500 |
| | 1.8 | Load distance, centre of drive axle to fork | x | mm | 500 | 500 |
| | 1.9 | Wheelbase | y | mm | 1698 | 1698 |
| | Service weight | 2.1 | Service weight | | kg | 4830 |
| 2.2 | | Axle loading, laden front/rear | | kg | 6840/990 | 7640/1010 |
| 2.3 | | Axle loading, unladen front/rear | | kg | 2065/2765 | 2075/3075 |
| Tyres/chassis | 3.1 | Tyre type | | | Solid rubber | Solid rubber |
| | 3.2 | Tyre size, front | | | 23X10-12 | 23X10-12 |
| | 3.3 | Tyre size, rear | | | 200/50-10 | 200/50-10 |
| | 3.5 | Wheels, number front/rear (x=drive wheels) | | mm | 2x/ 2 | 2x/ 2 |
| | 3.6 | Tread width, front | b10 | mm | 1085 | 1085 |
| | 3.7 | Tread width, rear | b11 | mm | 1020 | 1020 |
| Dimensions | 4.1 | Tilt of mast/fork carriage forward/backward | α/β | ° | 5 / 9 | 5 / 9 |
| | 4.2 | Retracted mast height | h1 | mm | 2060 | 2060 |
| | 4.3 | Free lift | h2 | mm | 140 | 140 |
| | 4.4 | Lift height | h3 | mm | 3000 | 3000 |
| | 4.5 | Height, mast extended | h4 | mm | 4095 | 4095 |
| | 4.7 | Height of overhead guard (cabin) | h6 | mm | 2210 | 2210 |
| | 4.8 | Seat height/standing height | h7 | mm | 1120 | 1120 |
| | 4.12 | Tow coupling height | h10 | mm | 380 | 380 |
| | 4.19 | Overall length | l1 | mm | 3640 | 3660 |
| | 4.20 | Length to face of forks | l2 | mm | 2570 | 2590 |
| | 4.21 | Overall width | b1/b2 | mm | 1298 | 1356 |
| | 4.22 | Fork dimensions | s/e/l | mm | 45×125×1070 | 50×125×1070 |
| | 4.23 | A,B Fork carriage class/type A, B | | | 3A | 3A |
| | 4.24 | Fork carriage width | b3 | mm | 1228 | 1228 |
| | 4.31 | Ground clearance, laden, below mast | m1 | mm | 130 | 130 |
| | 4.32 | Ground clearance, center of wheelbase | m2 | mm | 125 | 125 |
| | 4.34.1 | Aisle width for pallets 1000×1200 crossways | Ast | mm | 4090 | 4100 |
| 4.34.2 | Aisle width for pallets 800×1200 crossways | Ast | mm | 4290 | 4300 | |
| 4.35 | Turning radius | Wa | mm | 2390 | 2400 | |
| Performance data | 5.1 | Travel speed, laden/unladen | | km/h | 15/16 | 15/16 |
| | 5.2 | Lifting speed, laden/unladen | | m/s | 0.4/0.45 | 0.4/0.45 |
| | 5.3 | Lowering speed, laden/unladen | | m/s | 0.44/ 0.48 | 0.44/ 0.48 |
| | 5.5 | Drawbar pull, laden/unladen | | N | — | — |
| | 5.6 | Max. drawbar pull, laden/unladen | | N | — | 17800 |
| | 5.8 | Max. gradeability, laden/unladen | | % | 16/20 | 16/20 |
| | 5.10 | Service brake | | | Hydraulic | Hydraulic |
| | 5.11 | Parking brake | | | Mechanical | Mechanical |
| Electric-engine | 6.1 | Drive motor rating S2 60 min | | kW | 16.6 | 16.6 |
| | 6.2 | Lift motor rating at S3 15% | | kW | 24 | 24 |
| | 6.4 | Battery voltage/nominal capacity | | V/Ah | 80/560 | 80/560 |
| | 6.5 | Battery weight | | kg | 420 | 420 |
| Addition data | 8.1 | Type of drive control | | | AC | AC |
| | 10.5 | Steering design | | | Hydraulic | Hydraulic |
| | 10.7 | Sound pressure level at the driver's ear | | dB(A) | 70 | 70 |

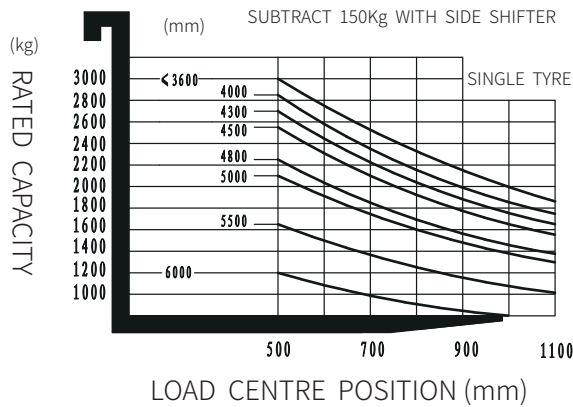
If there are improvements of technical parameters or configurations, no further notice will be given.
The diagram shown may contain non-standard configurations.



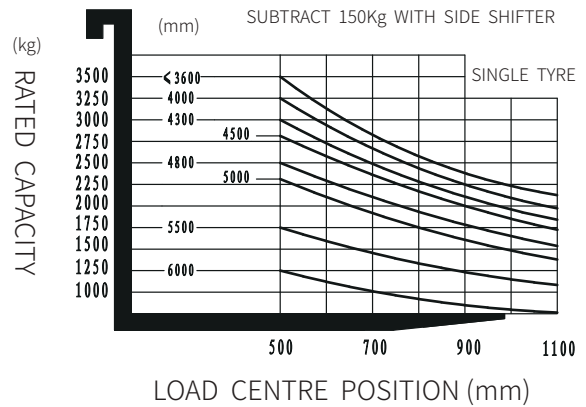
Mast Option

| Mast types | Lift height (h3) | Height, Mast | | | Height, Free lift(h2) | |
|-----------------|---------------------|-----------------------------|---------------------------|---------------|-----------------------|---------------|
| | | Height, mast lowered(h1) | Height, mast extended(h4) | | No shelving | With shelving |
| | | | No shelving | With shelving | | |
| | mm | mm | mm | mm | mm | mm |
| 2-Standard Mast | 2700 | 1910 | 3405 | 3795 | 140 | 140 |
| | 3000 | 2060 | 3705 | 4095 | 140 | 140 |
| | 3300 | 2210 | 4005 | 4395 | 140 | 140 |
| | 3600 | 2360 | 4305 | 4695 | 140 | 140 |
| | 4000 | 2610 | 4705 | 5095 | 140 | 140 |
| | 4500 | 2860 | 5205 | 5595 | 140 | 140 |
| 2-Free Mast | 2700 | 1890 | 3415 | 3795 | 1175 | 795 |
| | 3000 | 2040 | 3715 | 4095 | 1325 | 945 |
| | 3300 | 2190 | 4015 | 4395 | 1475 | 1095 |
| | 3600 | 2340 | 4315 | 4695 | 1625 | 1245 |
| 3-Free Mast | 4300 | 2040 | 5005 | 5395 | 1335 | 945 |
| | 4500 | 2120 | 5205 | 5595 | 1415 | 1025 |
| | 4800 | 2225 | 5505 | 5895 | 1520 | 1130 |
| | 5000 | 2310 | 5705 | 6095 | 1605 | 1215 |
| | 5500 | 2560 | 6205 | 6595 | 1855 | 1465 |
| | 6000 | 2810 | 6705 | 7095 | 2105 | 1715 |

RATED CAPACITIES AND LOAD CENTERES GRAPH



RATED CAPACITIES AND LOAD CENTERES GRAPH



Option

| No. | Optional Items | CPD30L1S | CPD35L1S |
|------|--------------------------|--|--|
| 1.1 | Fork dimension | ○122*45*1070○122*45*1150○122*45*1220○122*45*1370 ○122*45*1520○122*45*1600○122*45*1700○122*45*1820 ○122*45*2000○122*45*2200○122*45*2400 | ○122*50*1070○122*50*1150○122*50*1220○122*50*1370 ○122*50*1520○122*50*1600○122*50*1700○122*50*1820 ○122*50*2000○122*50*2200○122*50*2420 |
| 1.4 | Fork carriage width | ●1100mm○Yes and can be customized | ●1100mm○Yes and can be customized |
| 1.5 | Fork carriage height | ●1094mm○Yes and can be customized | ●1094mm○Yes and can be customized |
| 2.5 | Front wheel material | ●Solid○Non-marking solid | ●Solid○Non-marking solid |
| 2.6 | Rear wheel material | ●Solid○Non-marking solid | ●Solid○Non-marking solid |
| 2.7 | Battery capacity | ●80V560AH | ●80V560AH |
| 2.8 | Charger | ○80V130A○80V200A | ○80V130A○80V200A |
| 2.9 | Battery indicator | ●With time | ●With time |
| 2.10 | Seat type | ●Premium○Suspension○Suspension+Seatbelt logic switch ○Suspension seat with armrest (KL01) | ●Premium○Suspension○Suspension+Seatbelt logic switch ○Suspension seat with armrest (KL01) |
| 2.11 | Attachments | ●No○Built-in sideshifter ○External shifter○Fork positioner | ●No○Built-in sideshifter ○External shifter○Fork positioner |
| 2.13 | Traction pin | ●Yes | ●Yes |
| 2.14 | Electrostatic chain | ●No○Yes and not customized | ●No○Yes and not customized |
| 3.5 | Front lamp | ●LED | ●LED |
| 3.6 | Rear lamp | ●No○LED | ●No○LED |
| 3.7 | Warning lamp | ●Yes | ●Yes |
| 3.8 | Steering lamp | ●Yes | ●Yes |
| 3.9 | Blue lamp | ●No○2 front○1 rear○2 front + 1 rear | ●No○2 front○1 rear○2 front + 1 rear |
| 3.10 | Area warning lamp | ●No○Red, 1 left + 1 right | ●No○Red, 1 left + 1 right |
| 3.11 | Rearview mirror | ●1 rearview mirror○Add one on both sides | ●1 rearview mirror○Add one on both sides |
| 3.12 | Buzzer | ●Yes | ●Yes |
| 3.15 | Fire extinguisher | ●No○Yes and not customized | ●No○Yes and not customized |
| 3.17 | OPS system | ●No○Yes and not customized | ●No○Yes and not customized |
| 3.19 | USB interface | ●Yes | ●Yes |
| 3.23 | Telematics | ●No○Yes and not customized | ●No○Yes and not customized |
| 4.3 | Cabin | ●No ○Basic semi-enclosed cabin ○Upgrade semi-enclosed cabin ○Full cabin | ●No ○Basic semi-enclosed cabin ○Upgrade semi-enclosed cabin ○Full cabin |
| 4.5 | Proportional lift system | ●Yes | ●Yes |
| 4.9 | Heater | ●No○Yes and can be customized | ●No○Yes and can be customized |

Note: ● standard ○ option — NA

Specialized Upgrades For Paper Industry

Enhanced mast

With stronger tilt cylinder and oil tubes, the enhanced mast provides more powerful loading performance, ideal for retrofitting a clamp to transport paper rolls. Its all-round visibility also ensures safe and accurate stacking.

Lithium technology

The CPD35L1S is designed around the advantages of lithium technology. The standard 80V/560Ah Li-ion battery allows for fast and opportunity charging to cope with 7/24 operations and order peaks. Powered by 80 voltage motor, the truck performs well when it comes to loading and unloading at lorries or ramps.

High adaptability

The CPD35L1S comes with high ground clearance and water-protected design, making it suitable for harsh environments, such as uneven surfaces, wet and dusty warehouses.



Mast Option

| | Mast types | Lift height (h3) mm | Height, Mast | | Height, Free lift(h2) | | Load distance centre of drive axle to fork X | | Tilt of mast/fork carriage forward/backward | | Load capacity | | |
|-----------------|------------|------------------------|--------------------------------|---------------------------|-----------------------|-------------------|--|----------|---|----------|---------------|----------------------------|------|
| | | | Height, mast lowered(h1) mm | Height, mast extended(h4) | | No shelving mm | With shelving mm | 3t mm | 3.5t mm | α Deg | β Deg | 500mm Load center distance | |
| | | | | No shelving mm | With shelving mm | | | | | | | Single tyre | |
| | | | 3t kg | 3.5t kg | 3t kg | 3.5t kg | | | | | | | |
| 2-Standard Mast | 2W350 | 3500 | 2405 | 4205 | — | 120 | 120 | 490 | 490 | 5 | 6 | — | 3500 |
| | 2W360 | 3600 | 2455 | 4305 | — | 120 | 120 | 490 | 490 | 5 | 6 | — | 3500 |
| | 2W400 | 4000 | 2705 | 4705 | — | 120 | 120 | 490 | 490 | 5 | 6 | — | 3500 |
| | 2W450 | 4500 | 2955 | 5205 | — | 120 | 120 | 490 | 490 | 5 | 6 | — | 3400 |
| | 2W500 | 5000 | 3255 | 5705 | — | 120 | 120 | 490 | 490 | 5 | 6 | — | 3200 |

Note: SUBTRACT 150KG WITH EXTERNAL SIDE SHIFTER

Option

| No. | Optional items | CPD35L1S |
|------|--------------------------|--|
| 1.1 | Fork dimension | ○122*50*1070○122*50*1150○122*50*1220○122*50*1370○122*50*1520○122*50*1600 ○122*50*1700○122*50*1820○122*50*2000○122*50*2200○122*50*2420 |
| 1.4 | Fork carriage width | ●1100mm○Yes and can be customized |
| 1.5 | Fork carriage height | ●1094mm○Yes and can be customized |
| 2.5 | Front wheel material | ○Solid○Non-marking solid |
| 2.6 | Rear wheel material | ○Solid○Non-marking solid |
| 2.7 | Battery capacity | ○80V560AH |
| 2.8 | Charger | ○80V130A○80V200A |
| 2.9 | Battery indicator | ●With time |
| 2.10 | Seat type | ○Premium○Suspension○Suspension+seatbelt logic switch○With armrest KL01 |
| 2.11 | Attachments | ●No○Built-in sideshift○External sideshift○Fork positioner○Clamp○Carpet boom |
| 2.13 | Traction pin | ●Yes |
| 2.14 | Electrostatic chain | ●No○Yes and not customized |
| 3.5 | Front lamp | ●LED |
| 3.6 | Rear lamp | ●No○LED |
| 3.7 | Warning lamp | ●Yes |
| 3.8 | Steering lamp | ●Yes |
| 3.9 | Blue lamp | ●No○2 front○1 rear○2 front + 1 rear |
| 3.10 | Area warning lamp | ●No○Red, 1 left + 1 right |
| 3.11 | Rearview mirror | ●1 rearview mirror○Add on both sides |
| 3.12 | Buzzer | ●Yes |
| 3.15 | Fire extinguisher | ●No○Yes and not customized |
| 3.17 | OPS system | ●Yes and not customized○No |
| 3.19 | USB interface | ●Yes |
| 3.23 | Telematics | ●Yes and not customized○No |
| 4.3 | Cabin | ●No○Basic half cabin○Upgrade half cabin○Full cabin |
| 4.5 | Proportional lift system | ●Yes |
| 4.9 | Heater | ●No○Yes and not customized |

Note: ● standard ○ option — NA