



EP ENERGY

DIN Battery 80V - 410Ah / 560Ah Series

LI-ION

- Fully compatible with the forklifts using DIN 43536 batteries
- Productivity boost with opportunity charging
- Long battery life with less maintenance costs
- BMS system to maximize the battery life time
- Real-time battery monitoring display and power switch

EP EQUIPMENT CO.,LTD
www.ep-ep.com

CE

Feature

Fully compatible with the forklifts using DIN 43536 batteries

EP DIN battery has full compatibility with the forklifts using DIN 43536 batteries, meeting the requirements of DIN Standard.



Productivity boost with opportunity charging

EP Energy batteries can be charged up to 7% in 10 minutes. Operators can take the opportunity of charging during shift breaks. This maximizes uptime. Trucks are always available when needed.



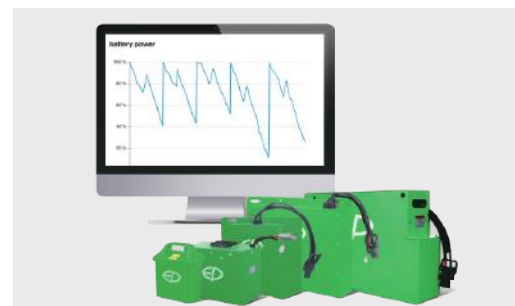
Long battery life with less maintenance costs

EP DIN battery comes with a naturally long life cycle thanks to Li-ion technology. It is maintenance-free and assures workplace safety with no water filling, air ventilation, and acid spills required.

Battery life span (complete charge and discharge cycles)	
Li-ion Battery	Lead-acid Battery
>2000 times	1000 times

BMS system to maximize the battery life time

EP's BMS system constantly monitors the status of the battery such as the temperature of the battery cells and it calculates the batteries' state of charge. It keeps the battery in a safe and stable condition.



Real-time battery monitoring display and power switch

EP DIN battery offers a battery indicator which can be equipped in the cabin. Operators can monitor the battery condition in real time and control power supply during an operation.



Parameters

DIN80410 >>

	4PzS	5PzS	6PzS
Battery Color	Green	Green	Green
Nominal Capacity(Ah)	410Ah	410Ah	410Ah
Nominal Voltage(V)	80V	80V	80V
Standard Charge Current(A)	150A/200A	150A/200A	150A/200A
Protection Class	IP 54	IP 54	IP 54
Battery Weight(kg)	1558	1873	2188
Box Dimensions(mm)	1028*711*784	1028*855*784	1028*999*784
Operating Temperature-Discharge(°C)	-20°C-55°C	-20°C-55°C	-20°C-55°C
Operating Temperature-Charge(°C)	0°C-40°C	0°C-40°C	0°C-40°C
Charger	80V/150Ah External charger (Standard) 80V/200Ah External charger (Option)		

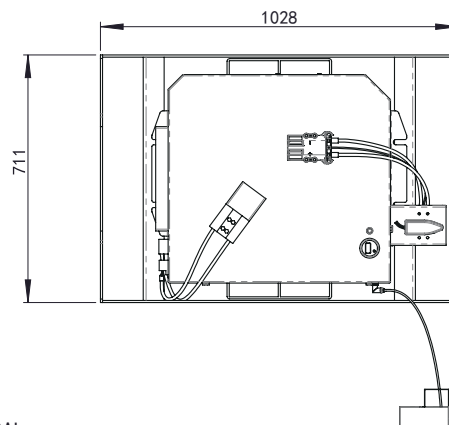
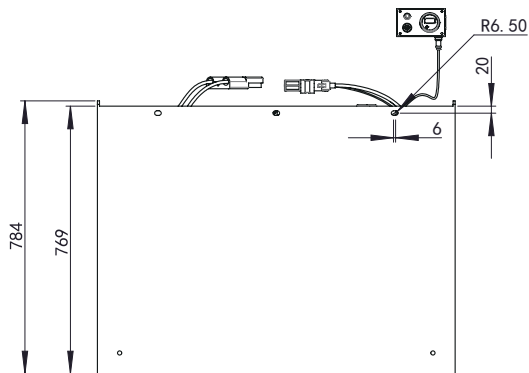
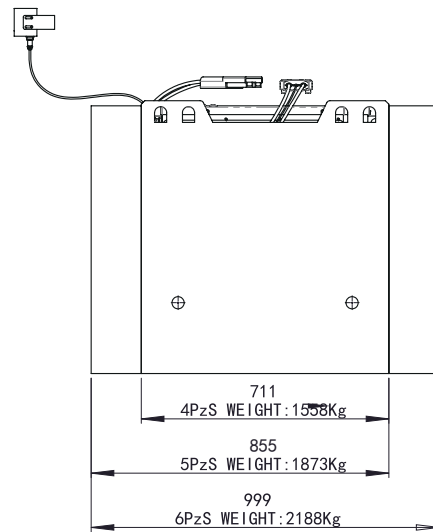
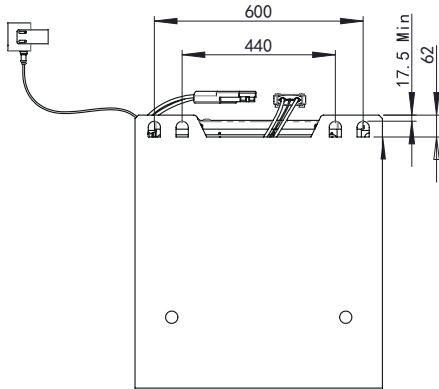
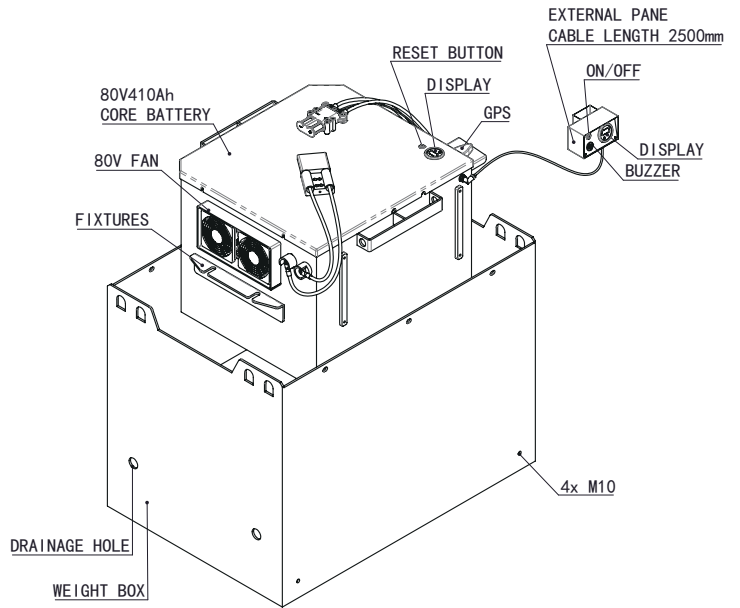
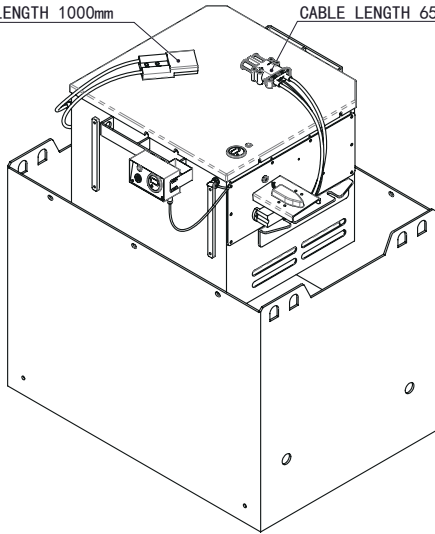
DIN80560 >>

	4PzS	5PzS	6PzS
Battery Color	Black	Black	Black
Nominal Capacity(Ah)	560Ah	560Ah	560Ah
Nominal Voltage(V)	80V	80V	80V
Standard Charge Current(A)	150A/200A	150A/200A	150A/200A
Protection Class	IP 54	IP 54	IP 54
Battery Weight(kg)	1558	1873	2188
Box Dimensions(mm)	1028*711*784	1028*855*784	1028*999*784
Operating Temperature-Discharge(°C)	-20°C-55°C	-20°C-55°C	-20°C-55°C
Operating Temperature-Charge(°C)	0°C-40°C	0°C-40°C	0°C-40°C
Charger	80V/150Ah External charger (Standard) 80V/200Ah External charger (Option)		

DIN80410 >>

DISCHARGING PLUG
REMA SRE320 BLACK
50 SQUARE MILLIMETERS
CABLE LENGTH 1000mm

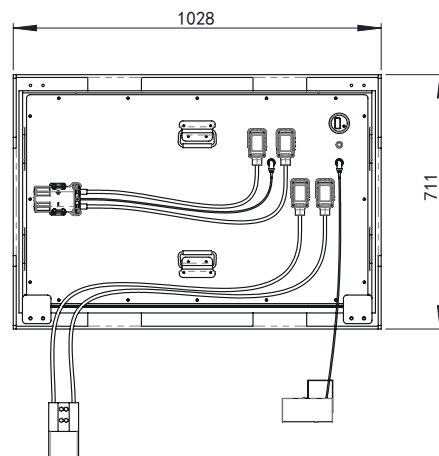
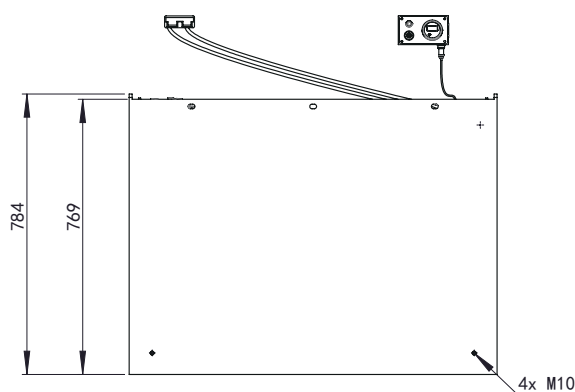
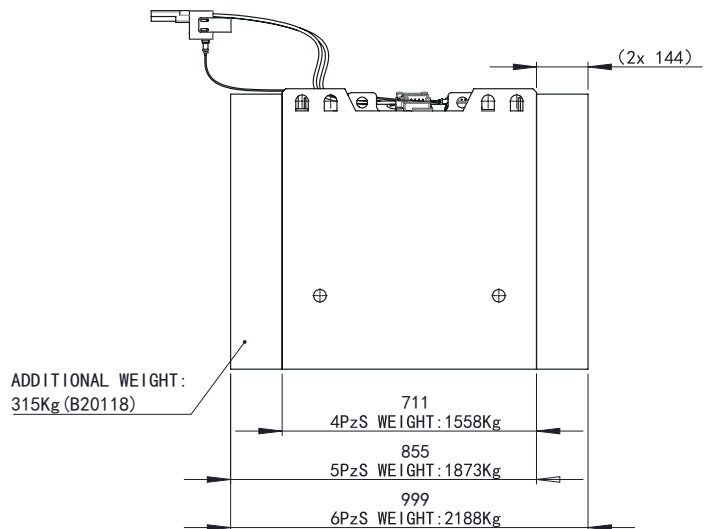
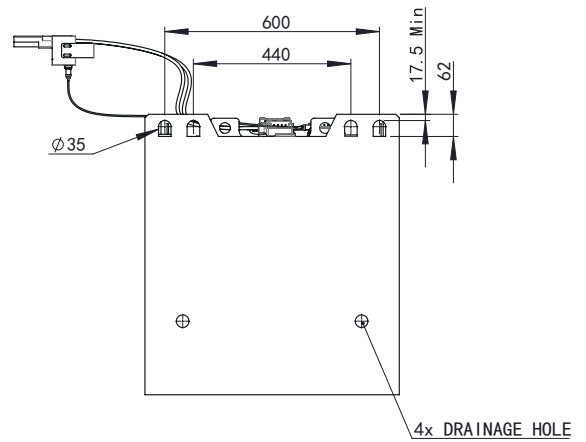
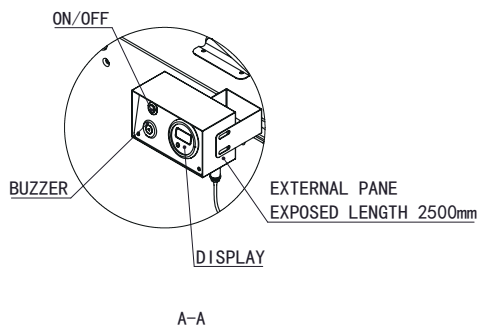
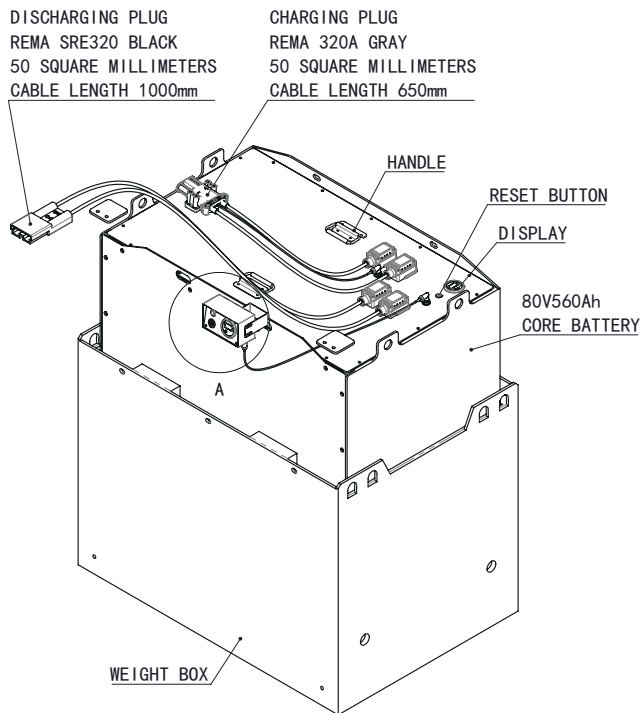
CHARGING PLUG
REMA 320A GARY
50 SQUARE MILLIMETERS
CABLE LENGTH 650mm



NOTES:

- 1. FINISH: GREEN POWDER COAT
- 2. SPECIFICATIONS: 80V410Ah

DIN80560 >>



NOTES:

1. FINISH:BLACK POWDER COAT
2. SPECIFICATIONS: 80V560Ah
3. STANDARD DISCHARGE CURRENT (A) :200A
4. PEAK DISCHARGE CURRENT (A) :700A (30s)
5. STANDARD CHARGE CURRENT (A) :120A

Warranty

Save your maintenance effort with EP's superior warranty. Your money will be well spent. For batteries with capacity >250AH: EP Energy provides 60 months or 5,000 hours, which comes first, for the battery cell and 24 months for parts.

FAQS >>

■ What is the life expectancy of the battery?

Generally, the Lithium ion batteries can live as long as the truck. EP warrants that the Li-ion battery technology will provide you with 2,000 complete charge and discharge cycles and still ensure over 80% of usable capacity. Replacement with Li-ion is not necessary anymore.

■ What happens if we keep charging the batteries? Does it affect battery life?

EP Li-ion battery comes with battery management systems(BMS). When the battery is fully charged, it will automatically power off. This will not affect the lifetime of Li-ion battery. The battery prefers quick charges. So charging during break times is the new normal way of working with batteries.

■ How do Li-ion batteries perform in environment of extreme temperatures?

The batteries can run in relatively extreme temperatures, from minus 20 degrees to up to 55 degrees. The more comfortable the battery feels, the longer its lifetime.

■ Does it affect truck performance when exchanging Lead-acid to Li-ion battery?

No, a truck performance should not be affected by energy supply. EP DIN battery is specially designed as Li-ion replacement to the forklifts using DIN 43536 batteries. There is no additional adjustment needed when exchanging the batteries, nor the changes of conditions on driving performance after the installation.

■ What is BMS system and how does it work?

The BMS plays a crucial role to protect the battery against over and under voltage and over and under temperature. The BMS also balances the cells. This system secures the battery longevity and improves battery performance. Also charging is optimized and charging and discharging cycles are stored in its memory. The data can be read on the display, PC or online with the optional Telematics system.